



PLATE AND SPHERE LAMP

Materials:

Polished brass and glass

Colour options:

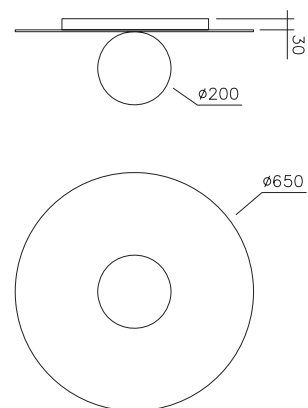
For additional colour options please contact Areti

Bulb specification:

E26 max 60W or LED equivalent

Sizes in mm.

UL/cUL Optional



Please note:

Mirrored bulbs reflect heat to the lamp holder. Depending on the space around the lamp holder, the heat might build up above the recommended temperature, especially if the heat is trapped when moving upwards. For this reason, the max. wattage indicated does not apply to mirrored bulbs, but to non mirrored bulbs only. If mirrored bulbs are desired, only those with a low wattage (such as LEDs) should be used. The max. wattage for mirrored bulbs is 5 watt LED (equivalent of 40 watt traditional bulb).

ARETI

www.atelierareti.com info.us@atelierareti.com

Our collections are hand made and made to order, small irregularities in shape or surface will occur, they are inherent to the hand made process and should not be seen as flaws. Variations in colour and size are available for some collections, please contact Areti for more details.



PLATE AND SPHERE 2 LAMP

Materials:

Polished brass and glass

Colour options:

For additional colour options please contact Areti

Bulb specification:

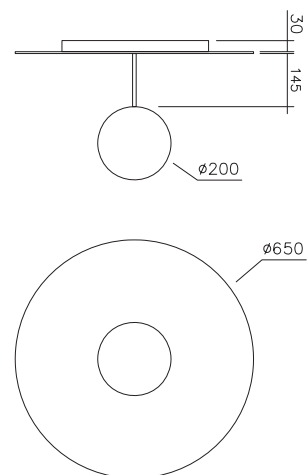
E26 max 60W or LED equivalent

Sizes in mm.

UL/cUL Optional

Please note:

Mirrored bulbs reflect heat back to the lamp holder. Depending on the space around the lamp holder, the heat might build up above the recommended temperature, especially if the heat is trapped when moving upwards. For this reason, the max. wattage indicated does not apply to mirrored bulbs, but to non mirrored bulbs only. If mirrored bulbs are desired, only those with a low wattage (such as LEDs) should be used. The max. wattage for mirrored bulbs is 5 watt LED (equivalent of 40 watt traditional bulb).



ARETI

www.atelierareti.com info.us@atelierareti.com

Our collections are hand made and made to order, small irregularities in shape or surface will occur, they are inherent to the hand made process and should not be seen as flaws. Variations in colour and size are available for some collections, please contact Areti for more details.



PLATE AND CONE LAMP

Materials:

Polished brass and glass

Colour options:

For additional colour options please contact Areti

Bulb specification:

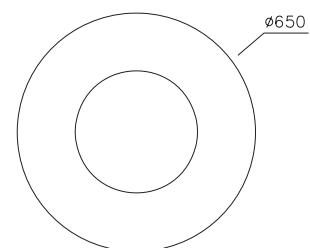
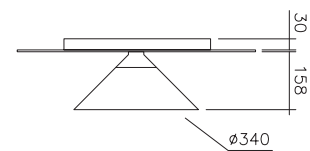
E26 max 60W or LED equivalent

Sizes in mm.

UL/cUL Optional

Please note:

Mirrored bulbs reflect heat back to the lamp holder. Depending on the space around the lamp holder, the heat might build up above the recommended temperature, especially if the heat is trapped when moving upwards. For this reason, the max. wattage indicated does not apply to mirrored bulbs, but to non mirrored bulbs only. If mirrored bulbs are desired, only those with a low wattage (such as LEDs) should be used. The max. wattage for mirrored bulbs is 5 watt LED (equivalent of 40 watt traditional bulb).



ARETI

www.atelierareti.com info.us@atelierareti.com

Our collections are hand made and made to order, small irregularities in shape or surface will occur, they are inherent to the hand made process and should not be seen as flaws. Variations in colour and size are available for some collections, please contact Areti for more details.